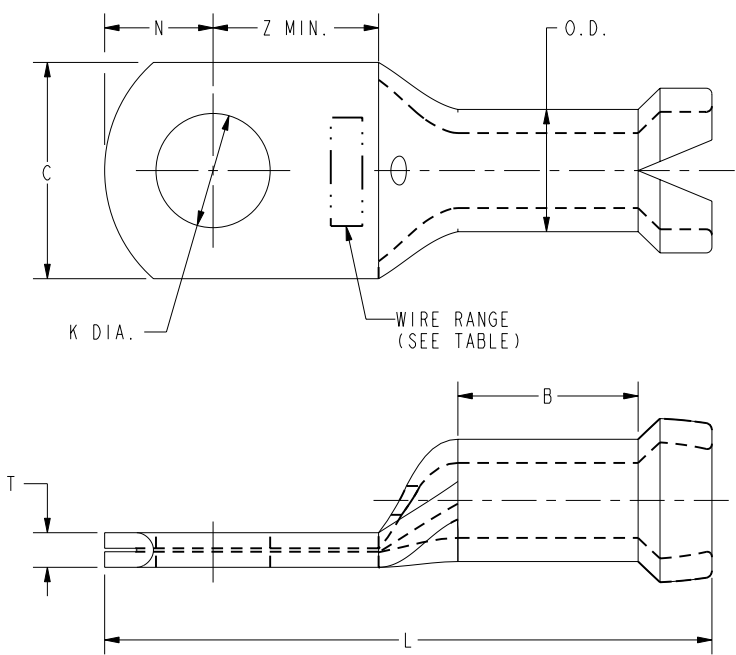


DRAWING NO.  
30022799

| ITEM NO. | CATALOG NO. | WIRE RANGE (AWG) | STUD SIZE | MAX. INSULATION DIAMETER | DIMENSIONS |             |             |              |            |            |            |             | INSTALLATION TOOLING |   | WIRE STRIP LENGTH | REV | DATE                   | DESCRIPTION           | ECO   | BY | C'H'K. |
|----------|-------------|------------------|-----------|--------------------------|------------|-------------|-------------|--------------|------------|------------|------------|-------------|----------------------|---|-------------------|-----|------------------------|-----------------------|-------|----|--------|
|          |             |                  |           |                          | B          | C           | K DIA.      | L            | N          | O.D.       | T          | Z MIN.      | NON-RATCHET          | RATCHET   |                   | A   | 12/02/2011 00:00:00 AM | SALES DRAWING UPDATED | 26289 | AD | MA     |
| 603400   | YAV10H      | 12-10            | 8-10      | .192<br>[4]              | .31<br>[8] | .38<br>[10] | .20<br>[5]  | 1.05<br>[27] | .19<br>[5] | .21<br>[5] | .06<br>[2] | .28<br>[7]  | Y10D, 2<br>Y10-22    | MRE1022B, 2<br>MR8-G98,<br>MR8-90,<br>Y8MRB-1, 2<br>MR20,<br>M8ND WITH<br>N10HT DIE<br>OR<br>N10HT-24 DIE               | 7/16"             | A   | 12/02/2011 00:00:00 AM | SALES DRAWING UPDATED | 26289 | AD | MA     |
| 603405   | YAV10H2     |                  | 5/16"     |                          | .31<br>[8] | .53<br>[13] | .33<br>[8]  | 1.24<br>[31] | .27<br>[7] | .21<br>[5] | .04<br>[1] | .39<br>[10] |                      |   |                   |     |                        |                       |       |    |        |
| 603425   | YAV10H25    |                  | 6-8       |                          | .31<br>[8] | .31<br>[8]  | .17<br>[4]  | 1.00<br>[25] | .16<br>[4] | .21<br>[5] | .07<br>[2] | .26<br>[7]  |                      |   |                   |     |                        |                       |       |    |        |
| 603410   | YAV10H3     |                  | 1/4"      |                          | .31<br>[8] | .47<br>[12] | .27<br>[7]  | 1.17<br>[31] | .23<br>[6] | .21<br>[5] | .05<br>[1] | .36<br>[9]  |                      |   |                   |     |                        |                       |       |    |        |
| 603415   | YAV10H4     |                  | 3/8"      |                          | .31<br>[8] | .55<br>[14] | .40<br>[10] | 1.24<br>[31] | .28<br>[7] | .21<br>[5] | .04<br>[1] | .44<br>[11] |                      |   |                   |     |                        |                       |       |    |        |
| 603435   | YAV14H      | 16-14            | 8-10      | .150<br>[4]              | .25<br>[6] | .31<br>[8]  | .20<br>[5]  | .92<br>[23]  | .16<br>[4] | .16<br>[4] | .04<br>[1] | .26<br>[7]  | Y10D, 2<br>Y10-22    | MRE1022B, 2<br>MR8-G98,<br>MR8-90,<br>Y8MRB-1, 2<br>MR20,<br>M8ND WITH<br>N14HT-5 DIE,<br>N10HT-24 DIE,<br>OR N14HT DIE | 1/4"              |     |                        |                       |       |    |        |
| 603440   | YAV14H1     |                  | 6-8       |                          | .25<br>[6] | .31<br>[8]  | .17<br>[4]  | .92<br>[23]  | .16<br>[4] | .16<br>[4] | .04<br>[1] | .26<br>[7]  |                      |   |                   |     |                        |                       |       |    |        |
| 603445   | YAV14H2     |                  | 1/4"      |                          | .25<br>[6] | .42<br>[11] | .27<br>[7]  | 1.11<br>[28] | .25<br>[6] | .16<br>[4] | .03<br>[1] | .36<br>[9]  |                      |   |                   |     |                        |                       |       |    |        |
| 10019911 | YAV14H5     |                  | 4-5       |                          | .25<br>[6] | .31<br>[8]  | .15<br>[4]  | .92<br>[23]  | .16<br>[4] | .16<br>[4] | .04<br>[1] | .26<br>[7]  |                      |   |                   |     |                        |                       |       |    |        |
| 603458   | YAV14H65    |                  | 8-10      |                          | .25<br>[6] | .31<br>[8]  | .21<br>[5]  | .92<br>[23]  | .16<br>[4] | .16<br>[4] | .04<br>[1] | .26<br>[7]  |                      |   |                   |     |                        |                       |       |    |        |
| 603460   | YAV18H      | 22-18            | 8-10      | .120<br>[3]              | .25<br>[6] | .31<br>[8]  | .20<br>[5]  | .88<br>[22]  | .16<br>[4] | .13<br>[3] | .03<br>[1] | .28<br>[7]  | Y10D, 2<br>Y10-22    | MRE1022B, 2<br>MR8-G98,<br>MR8-90,<br>Y8MRB-1, 2<br>MR20,<br>M8ND WITH<br>N14HT-5 DIE<br>OR N14HT DIE                   |                   |     |                        |                       |       |    |        |
| 603465   | YAV18H1     |                  | 6-8       |                          | .25<br>[6] | .31<br>[8]  | .17<br>[4]  | .88<br>[22]  | .16<br>[4] | .13<br>[3] | .03<br>[1] | .28<br>[7]  |                      |   |                   |     |                        |                       |       |    |        |
| 603485   | YAV18H5     |                  | 4-6       |                          | .25<br>[6] | .31<br>[8]  | .15<br>[4]  | .88<br>[22]  | .16<br>[4] | .13<br>[3] | .03<br>[1] | .28<br>[7]  |                      |   |                   |     |                        |                       |       |    |        |
| 603490   | YAV18H6     |                  | 4-6       |                          | .27<br>[7] | .25<br>[6]  | .15<br>[4]  | .89<br>[23]  | .12<br>[3] | .13<br>[3] | .04<br>[1] | .22<br>[6]  |                      |   |                   |     |                        |                       |       |    |        |



NOTES:

- MATERIAL: SEAMLESS COPPER TUBE  
FINISH: TIN PLATED
- THESE TOOLS CRIMP THE CONDUCTOR ONLY; ALL OTHERS CRIMP THE INSULATION SHROUD AS WELL.
- ALL DIMENSIONS IN BRACKETS [ ] ARE IN MILLIMETERS, ROUNDED TO THE NEAREST MILLIMETER AND ARE FOR REFERENCE ONLY.
- UL LISTED AND CSA CERTIFIED.
- USE SUFFIX "BOX" FOR JAR PACKAGING.
- USE SUFFIX "NK" FOR NICKEL PLATING.

|                                     |              |
|-------------------------------------|--------------|
| UNINSULATED RING TERMINAL W/ SHROUD |              |
| ITEM NO: (SEE TABLE)                |              |
| CAT. NO: YAV-H-                     |              |
| DRAWN BY: S.AUGUSTIN                | 12/02/11     |
| CHECKER: E.MARTIN                   | 12/12/11     |
| DSN APPVL: E.MARTIN                 | 12/12/11     |
| MFG APPVL: --                       | --           |
| QA APPVL: C.ACKERMAN                | 12/29/11     |
| MKT APPVL: J.SYLVIA                 | 12/10/11     |
| PROD FAM: SMALL COMPRESSION         | DRAWING NO   |
| PROJECT #: --                       | SIZE         |
| DOCUMENT TYPE: Sales                | 30022799     |
| REL LEVEL: Released                 | SHEET 1 OF 1 |



REV: PE0200